

# SOLENOID VALVE

## XP SERIES SOLENOID VALVE

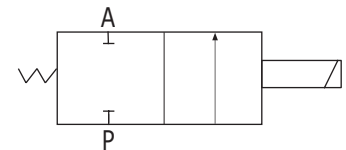


### Features

1. Compact volume, large flow, widely use
2. Pilot operated structure
3. Lower power consumption, bigger working pressure
4. Body material: brass, stainless steel
5. NBR, VITON, EPDM, SILICONE seals are available
6. Normally closed and normally open

\* Warning: Make sure the system is clean before installing please fix a filter in the front of solenoid valve for long life.

### Symbol



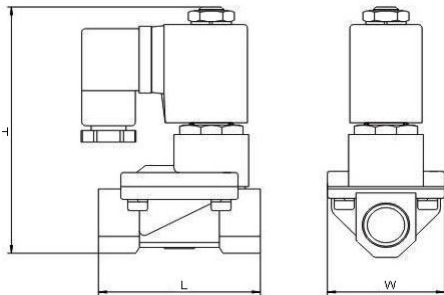
### Specification for XP Series Normally Closed Solenoid Valve

Model		Thread Size (G)	Orifice (mm)	CV Value	Working Pressure (Bar)						Seals	Voltage
					AC			DC				
Brass body	Stainless steel				air, gas	water	≤ 20cst oil	air, gas	water	≤ 20cst oil		
XP130-10	XP130-10B	3/8"	13	4.5	0.5-16	0.5-16	0.5-13	0.5-16	0.5-16	0.5-13	NBR seals ≤ 80°C Viton seals ≤ 150°C EPDM seals ≤ 120°C Silicone seals ≤ 100°C	24VDC 12VDC make Other voltage as requested
XP130-15	XP130-15B	1/2"	13	4.5	0.5-16	0.5-16	0.5-13	0.5-16	0.5-16	0.5-13		
XP200-20	XP200-20B	3/4"	20	7.6	0.5-16	0.5-16	0.5-13	0.5-16	0.5-16	0.5-13		
XP250-25	XP250-25B	1"	25	12	0.5-16	0.5-16	0.5-13	0.5-16	0.5-16	0.5-13		
XP320-35	XP320-35B	1 1/4"	32	22	0.5-16	0.5-16	0.5-13	0.5-16	0.5-16	0.5-13		
XP400-40	XP400-40B	1 1/2"	40	30	0.5-16	0.5-16	0.5-13	0.5-16	0.5-16	0.5-13		
XP500-50	XP500-50B	2"	50	48	0.5-16	0.5-16	0.5-13	0.5-16	0.5-16	0.5-13		
Flange connection	XP250-25FB	4 holes flange	25	12	0.5-16	0.5-16	0.5-13	0.5-16	0.5-16	0.5-13		
	XP320-35FB		32	22	0.5-16	0.5-16	0.5-13	0.5-16	0.5-16	0.5-13		
	XP400-40FB		40	30	0.5-16	0.5-16	0.5-13	0.5-16	0.5-16	0.5-13		
	XP500-50FB		50	48	0.5-16	0.5-16	0.5-13	0.5-16	0.5-16	0.5-13		

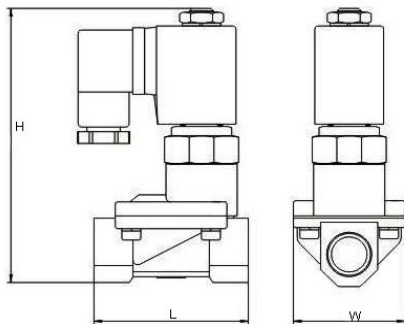
### Specification for XP Series Normally Open Solenoid Valve

Model		Thread Size (G)	Orifice (mm)	CV Value	Working Pressure (Bar)						Seals	Voltage
					AC			DC				
Brass body	Stainless steel				air, gas	water	≤20cst oil	air, gas	water	≤20cst oil		
XP130-10H	XP130-10BH	3/8"	13	4.5	0.5-8	0.5-8	0.5-7	0.5-8	0.5-8	0.5-7	NBR seals ≤80°C Viton seals ≤150°C EPDM seals ≤120°C Silicone seals ≤100°C	220VAC 110VAC 24VDC 12VDC make Other voltage as requested
XP130-15H	XP130-15BH	1/2"	13	4.5	0.5-8	0.5-8	0.5-7	0.5-8	0.5-8	0.5-7		
XP200-20H	XP200-20BH	3/4"	20	7.6	0.5-8	0.5-8	0.5-7	0.5-8	0.5-8	0.5-7		
XP250-25H	XP250-25BH	1"	25	12	0.5-8	0.5-8	0.5-7	0.5-8	0.5-8	0.5-7		
XP320-35H	XP320-35BH	1 1/4"	32	22	0.5-8	0.5-8	0.5-7	0.5-8	0.5-8	0.5-7		
XP400-40H	XP400-40BH	1 1/2"	40	30	0.5-8	0.5-8	0.5-7	0.5-8	0.5-8	0.5-7		
XP500-50H	XP500-50BH	2"	50	48	0.5-8	0.5-8	0.5-7	0.5-8	0.5-8	0.5-7		
Flange connection	XP250-25FBH	4 holes flange	25	12	0.5-8	0.5-8	0.5-7	0.5-8	0.5-8	0.5-7		
	XP320-35FBH		32	22	0.5-8	0.5-8	0.5-7	0.5-8	0.5-8	0.5-7		
	XP400-40FBH		40	30	0.5-8	0.5-8	0.5-7	0.5-8	0.5-8	0.5-7		
	XP500-50FBH		50	48	0.5-8	0.5-8	0.5-7	0.5-8	0.5-8	0.5-7		

### Overall Dimensions



Model	L	W	H	Model	L	W	H
XP130-10	66	48	112	XP130-10B	66	48	112
XP130-15	66	48	112	XP130-15B	66	48	112
XP200-20	75	58	118	XP200-20B	75	58	118
XP250-25	96	70	130	XP250-25B	96	70	130
XP320-35	130	96	146	XP320-35B	130	96	146
XP400-40	130	96	146	XP400-40B	130	96	146
XP500-50	165	120	168	XP500-50B	165	120	168
XP250-25F	134	110	160	XP250-25FB	134	110	160
XP320-35F	160	140	180	XP320-35FB	160	140	180
XP400-40F	160	140	180	XP400-40FB	160	140	180
XP500-50F	200	160	207	XP500-50FB	200	160	207



Model	L	W	H	Model	L	W	H
XP130-10H	66	48	124	XP130-10BH	66	48	124
XP130-15H	66	48	124	XP130-15BH	66	48	124
XP200-20H	75	58	130	XP200-20BH	75	58	130
XP250-25H	96	70	143	XP250-25BH	96	70	143
XP320-35H	130	96	158	XP320-35BH	130	96	158
XP400-40H	130	96	158	XP400-40BH	130	96	158
XP500-50H	165	120	180	XP500-50BH	165	120	180
XP250-25FH	134	110	143	XP250-25FBH	134	110	143
XP320-35FH	160	140	158	XP320-35FBH	160	140	158
XP400-40FH	160	140	158	XP400-40FBH	160	140	158
XP500-50FH	200	160	180	XP500-50FBH	200	160	180